

PMX™

PROMAXIMA

www.PMXSTRENGTH.com



WEIGHT ROOM EQUIPMENT CATALOG

STRENGTH FROM WITHIN.

\$1.00

AMERICAN MADE 

STRENGTH FROM WITHIN.



TABLE OF CONTENT	1
MOTIVATE SERIES 4X3 DOUBLE HALF RACK	2
MOTIVATE SERIES 4X3 HALF RACK	4
MOTIVATE SERIES 3X3 DOUBLE HALF RACK	6
MOTIVATE SERIES 3X3 HALF RACK	8
PMX-4307 RACKS	10
PMX-3311 RACKS	12
PMX-3307 RACKS	14
PMX-3211 RACKS	16
PMX-RACKS : ACCESSORIES	18
PMX-RACKS : UNIVERSAL ACCESSORIES	20
PMX MULTIFUNCTIONAL TRAINER	22
SMITH MACHINE	24
STORAGE SOLUTION	25
CABLE WALL UNITS	26
FLOORING	28
CUSTOM RIGS	32
EQUALIZER	35
ABDOMINAL & BACK	36
LOWER BODY	37
UTILITY BENCHES	38
BODY TRAINING EQUIPMENT	40
WEIGHT BARS	41
BUMPER PLATES	44
WEIGHTS	46
WEIGHT RACKS	47
WEIGHT STORAGE	49
MED BALLS & PLYOMETRICS	50
ACCESSORIES	51
PLATE LOADED	52
STEALTH SERIES	55
RAPTOR SERIES	56
CABLE MACHINES	58
MULTI-GYMS	61
CARDIO MACHINES	62
EQUIPMENT CUSTOMIZATION	70
COLOR CHART : UPHOLSTERY COLORS	72
COLOR CHART : POWDER COAT COLORS	73

M84307-DH



*Laser Cut Logo
Sleeve Included*



M84307-DH

SPECIFICATIONS

- 4"x 3" 7-Gauge Media Blasted Steel
- Uprights With Laser Notch Sleeves
- 1" Front & Side Utility Holes
- Stainless Steel Hardware
- Support Gussets and Additional Weld Points for Structural Integrity
- Dimensions:
 - Footprint 72"L x 48"W x 96"H
 - Including Weight Horns & Safety Arms 128"L x 77"W x 96"H

INCLUDES

- Multi-grip Chin Up with Urethane Grips
- Center Bridge Plate with Optional Branding Logo
- 28" Safety Arms (2 Pair)
- Sandwich Style Jhooks (2 Pair)
- Band Attachments (2 Pair)
- Chain & Band Storage Hooks (2 Pair)
- Bar Storage (2 Pair)
- 14" Weight Plate Holder (2)
- 12" Weight Plate Holder (4)
- 6" Weight Plate Holder (6)

Optional Attachments:

- * Seamless Integration with Motivision AI Technology
- * Dip Attachment PL-8220D
- * Single Leg Attachment PL-885
- * Dual Hanging Bar Storage PMX-HBS-2
- * Landmine Attachment M8-50423
- * Band Attachment Band Peg 3
- * 14" Weight Plate Holder SP-609-14
- * 12" Weight Plate Holder SP-609
- * Front Bridge Plate With Optional Branding Logo M8-618



Motivision AI Technology

Contact your **PMX** sales specialist for additional options and branding solutions.

M84307-HR



Laser Cut Logo Sleeve Included



M84307-HR

SPECIFICATIONS

- 4"x 3" 7-Gauge Media Blasted Steel
- Uprights With Sleeves Laser Notch Every 3 1/2"
- 1" Front & Side Utility Holes
- Stainless Steel Hardware
- Support Gussets and Additional Weld Points for Structural Integrity
- Dimensions:
 - Footprint 60"L x 48"W x 96"H
 - Including Weight Horns & Safety Arms 108"L x 77"W x 96"H

INCLUDES

- Multi-grip Chin Up with Urethane Grips
- Rear Bridge Plate with Optional Branding Logo
- 28" Safety Arms (Pair)
- Sandwich Style Jhooks (Pair)
- Band Attachments (Pair)
- Chain & Band Storage Hooks (Pair)
- Bar Storage (Pair)
- 14" Weight Plate Holder (2)
- 12" Weight Plate Holder (6)

Optional Attachments:

- * Seamless Integration with Motivision AI Technology
- * Dip Attachment PL-8220D
- * Single Leg Attachment PL-885
- * Dual Hanging Bar Storage PMX-HBS-2
- * Landmine Attachment M8-50423
- * Band Attachment Band Peg 3
- * 14" Weight Plate Holder SP-609-14
- * 12" Weight Plate Holder SP-609
- * Front Bridge Plate With Optional Branding Logo M8-618



Motivision AI Technology

Contact your **PMX** sales specialist for additional options and branding solutions.

M83307-DH



M83307-DH

SPECIFICATIONS

- 3"x 3" 7-Gauge Media Blasted Steel
- Uprights With Laser Cut Numbers and 1" Holes Spaced Every 2"
- 1" Front & Side Utility Holes
- Stainless Steel Hardware
- Support Gussets and Additional Weld Points for Structural Integrity
- Dimensions:
 - Footprint 72"L x 48"W x 96"H
 - Including Weight Horns & Safety Arms 128"L x 77"W x 96"H

INCLUDES

- Multi-grip Chin Up with Urethane Grips
- Center Bridge Plate with Optional Branding Logo
- 28" Safety Arms (2 Pair)
- Sandwich Style Jhooks (2 Pair)
- Band Attachments (2 Pair)
- Chain & Band Storage Hooks (2 Pair)
- Bar Storage (2 Pair)
- 14" Weight Plate Holder (2)
- 12" Weight Plate Holder (4)
- 6" Weight Plate Holder (6)

Optional Attachments:

- * Seamless Integration with Motivision AI Technology
- * Dip Attachment SP-220
- * Single Leg Attachment SP-385
- * Dual Hanging Bar Storage PMX-HBS-2
- * Landmine Attachment M8-50423
- * Band Attachment Band Peg 3
- * 14" Weight Plate Holder SP-609-14
- * 12" Weight Plate Holder SP-609
- * Front Bridge Plate With Optional Branding Logo M8-618



Motivision AI Technology

Contact your **PMX** sales specialist for additional options and branding solutions.

M83307-HR



M83307-HR

SPECIFICATIONS

- 3"x 3" 7-Gauge Media Blasted Steel
- Uprights With Laser Cut Numbers and 1" Holes Spaced Every 2"
- 1" Front & Side Utility Holes
- Stainless Steel Hardware
- Support Gussets and Additional Weld Points for Structural Integrity
- Dimensions:
 - Footprint 60"L x 48"W x 96"H
 - Including Weight Horns & Safety Arms 108"L x 77"W x 96"H

INCLUDES

- Multi-grip Chin Up with Urethane Grips
- Rear Bridge Plate with Optional Branding Logo
- 28" Safety Arms (Pair)
- Sandwich Style Jhooks (Pair)
- Band Attachments (Pair)
- Chain & Band Storage Hooks (Pair)
- Bar Storage (Pair)
- 14" Weight Plate Holder (2)
- 12" Weight Plate Holder (6)

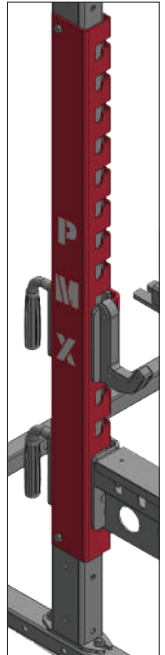
Optional Attachments:

- * Seamless Integration with Motivision AI Technology
- * Dip Attachment SP-220
- * Single Leg Attachment SP-385
- * Dual Hanging Bar Storage PMX-HBS-2
- * Landmine Attachment M8-50423
- * Band Attachment Band Peg 3
- * 14" Weight Plate Holder SP-609-14
- * 12" Weight Plate Holder SP-609
- * Front Bridge Plate With Optional Branding Logo M8-618



Motivision AI Technology

Contact your **PMX** sales specialist for additional options and branding solutions.

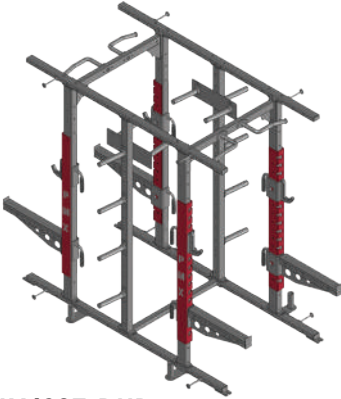


PMX4307-HR

Half Rack

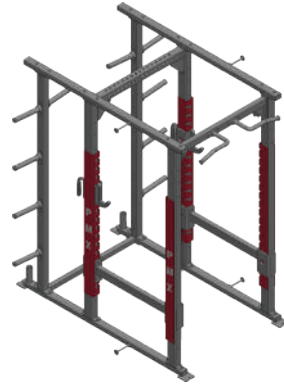
- 4x3 Notched Upright
- 7 Gauge Steel
- 3 Way Urethane Chinup
- (2) 7 Gauge Laser Cut Sleeves
- (2) Bar Hooks
- (2) 28" Safety Arms
- (2) Bar Storage
- (4) Universal Band Pegs
- (10) Weight Peg Storage

Laser Cut Logo Sleeve Included



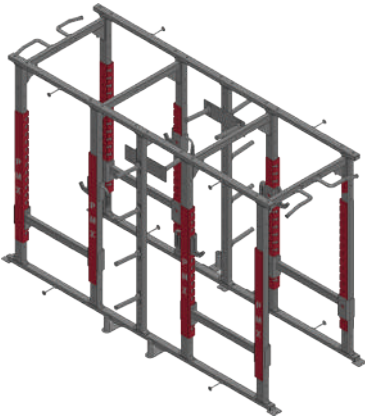
PMX4307-DHR
Double Half Rack

- 4x3 Notched Upright
- 7 Gauge Steel
- (2) 3 Way Urethane Chinup
- (4) 7 Gauge Laser Cut Sleeves
- (4) Bar Hooks
- (4) 28" Safety Arms
- (4) Bar Storage
- (8) Universal Band Pegs
- (12) Weight Peg Storage



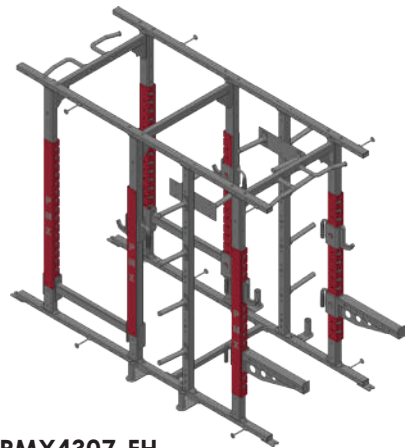
PMX4307-FR
Full Rack

- 4x3 Notched Upright
- 7 Gauge Steel
- 3 Way Urethane Chinup
- (4) 7 Gauge Laser Cut Sleeves
- (2) Bar Hooks
- (2) Safety Crash Arms
- (2) Bar Storage
- (4) Universal Band Pegs
- (10) Weight Peg Storage



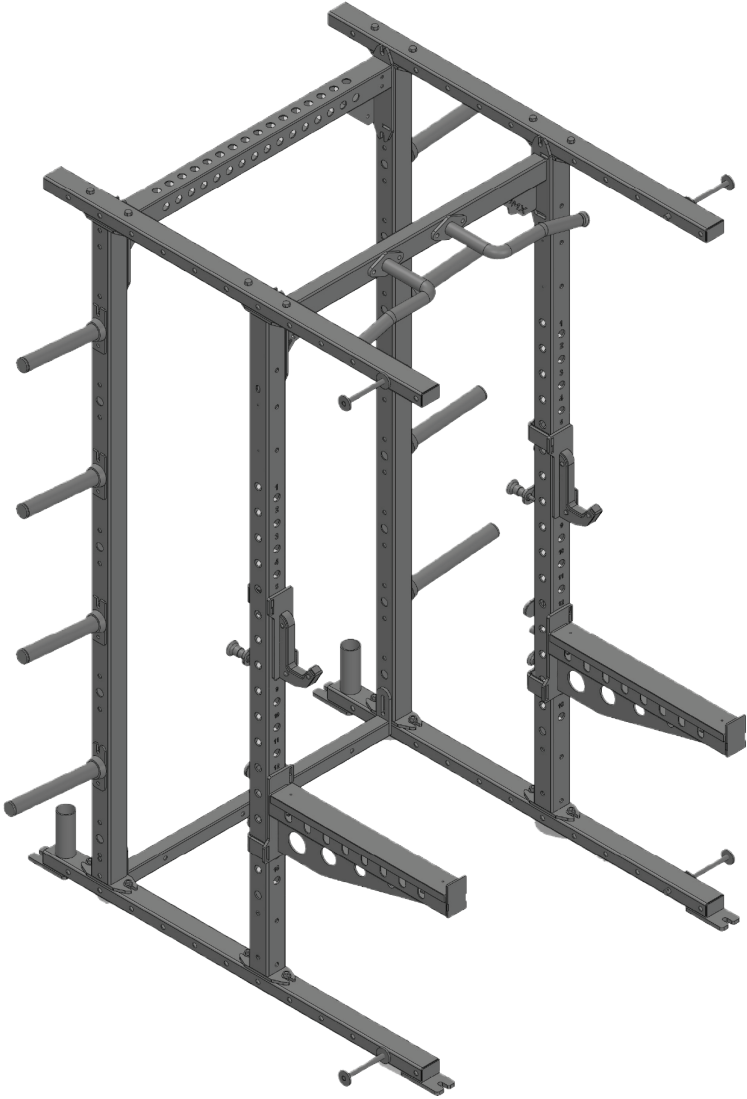
PMX4307-DFR
Double Full Rack

- 4x3 Notched Upright
- 7 Gauge Steel
- (2) 3 Way Urethane Chinup
- (8) 7 Gauge Laser Cut Sleeves
- (4) Bar Hooks
- (4) Safety Crash Arms
- (4) Bar Storage
- (8) Universal Band Pegs
- (12) Weight Peg Storage



PMX4307-FH
Full Half Rack

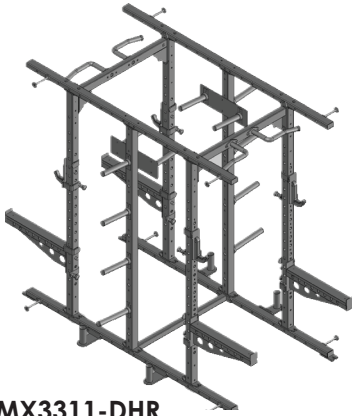
- 4x3 Notched Upright
- 7 Gauge Steel
- (2) 3 Way Urethane Chinup
- (6) 7 Gauge Laser Cut Sleeves
- (4) Bar Hooks
- (2) Safety Crash Arms
- (2) 28" Safety Arms
- (4) Bar Storage
- (8) Universal Band Pegs
- (12) Weight Peg Storage



PMX3311-HR

Half Rack

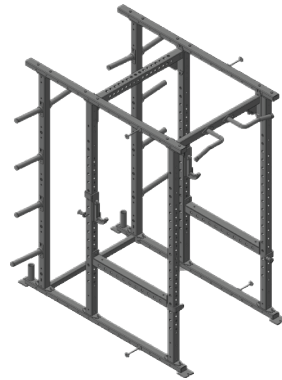
- 3x3 Universal Upright
- 11 Gauge Steel
- Laser Cut Holes Spaced Every 2" on Uprights
- 3 Way Urethane Chinup
- (2) Bar Hooks
- (2) 28" Safety Arms
- (2) Bar Storage
- (4) Universal Band Pegs
- (10) Weight Peg Storage



PMX3311-DHR

Double Half Rack

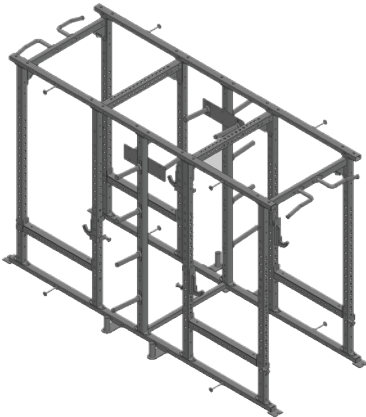
- 3x3 Universal Upright
- 11 Gauge Steel
- Laser Cut Holes Spaced Every 2" on Uprights
- (2) 3 Way Urethane Chinup
- (4) Bar Hooks
- (4) 28" Safety Arms
- (4) Bar Storage
- (8) Universal Band Pegs
- (12) Weight Peg Storage



PMX3311-FR

Full Rack

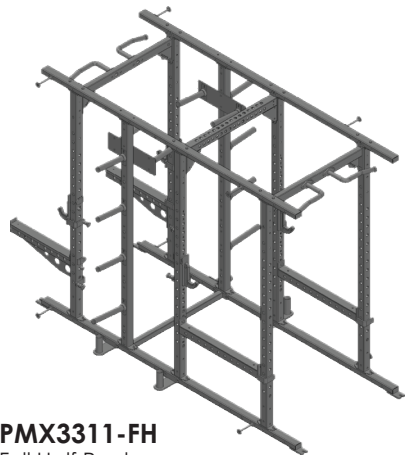
- 3x3 Universal Upright
- 11 Gauge Steel
- Laser Cut Holes Spaced Every 2" on Uprights
- Way Urethane Chinup
- (2) Bar Hooks
- (2) Safety Crash Arms
- (2) Bar Storage
- (4) Universal Band Pegs
- (10) Weight Peg Storage



PMX3311-DFR

Double Full Rack

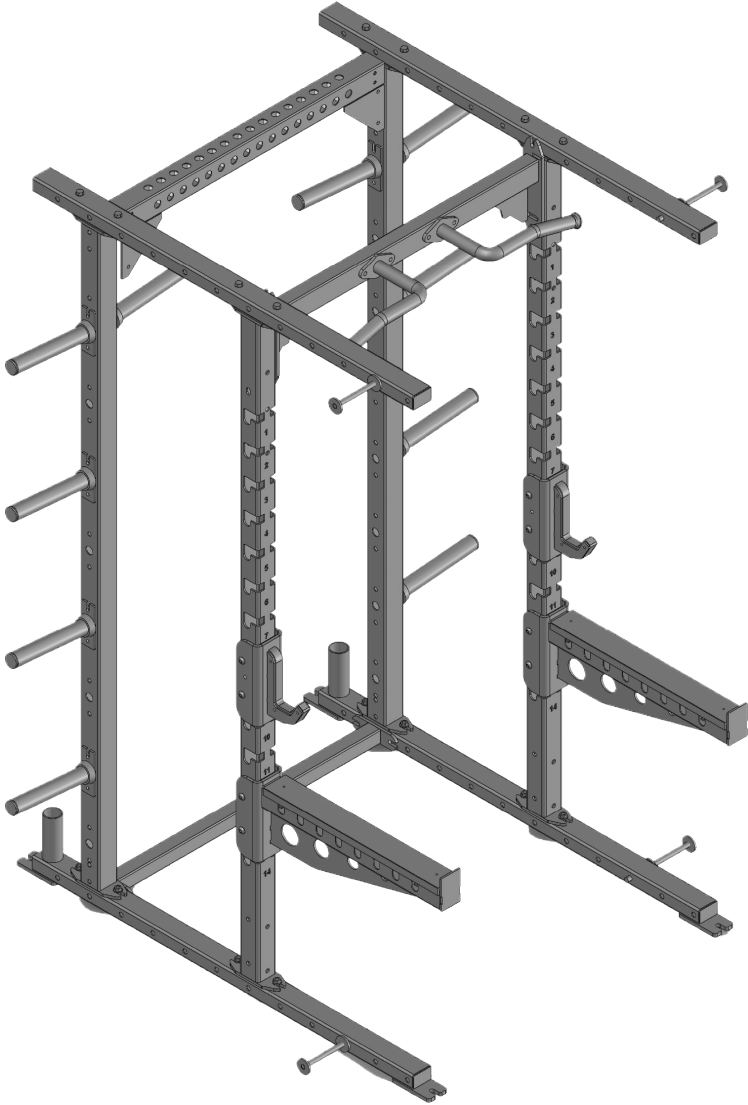
- 3x3 Universal Upright
- 11 Gauge Steel
- Laser Cut Holes Spaced Every 2" on Uprights
- (2) 3 Way Urethane Chinup
- (4) Bar Hooks
- (4) Safety Crash Arms
- (4) Bar Storage
- (8) Universal Band Pegs
- (12) Weight Peg Storage



PMX3311-FH

Full Half Rack

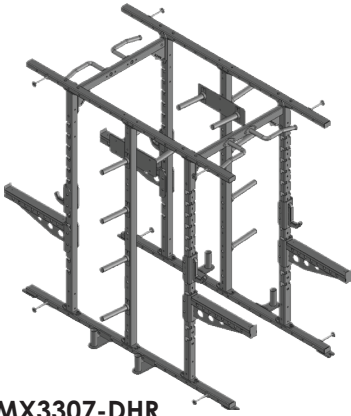
- 3x3 Universal Upright
- 11 Gauge Steel
- Laser Cut Holes Spaced Every 2" on Uprights
- (2) 3 Way Urethane Chinup
- (4) Bar Hooks
- (2) Safety Crash Arms
- (2) 28" Safety Arms
- (4) Bar Storage
- (8) Universal Band Pegs
- (12) Weight Peg Storage



PMX3307-HR

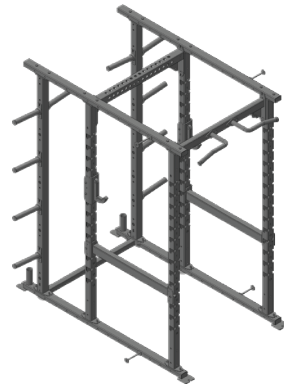
Half Rack

- 3x3 Dual Notched Upright
- 7 Gauge Steel
- 3 Way Urethane Chinup
- (2) Bar Hooks
- (2) 28" Safety Arms
- (2) Bar Storage
- (4) Universal Band Pegs
- (10) Weight Peg Storage



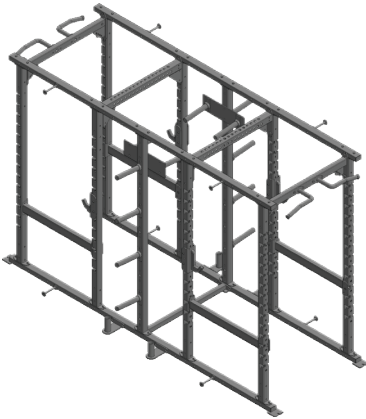
PMX3307-DHR
Double Half Rack

- 3x3 Dual Notched Upright
- 7 Gauge Steel
- (2) 3 Way Urethane Chinup
- (4) Bar Hooks
- (4) 28" Safety Arms
- (4) Bar Storage
- (8) Universal Band Pegs
- (12) Weight Peg Storage



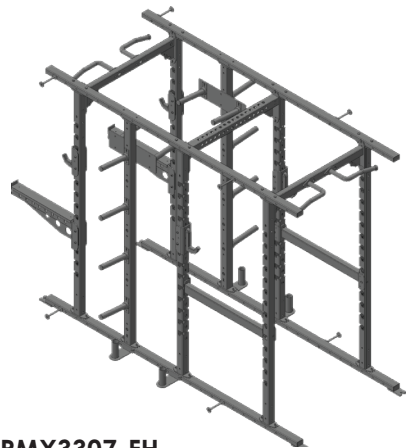
PMX3307-FR
Full Rack

- 3x3 Dual Notched Upright
- 7 Gauge Steel
- 3 Way Urethane Chinup
- (2) Bar Hooks
- (2) Safety Crash Arms
- (2) Bar Storage
- (4) Universal Band Pegs
- (10) Weight Peg Storage



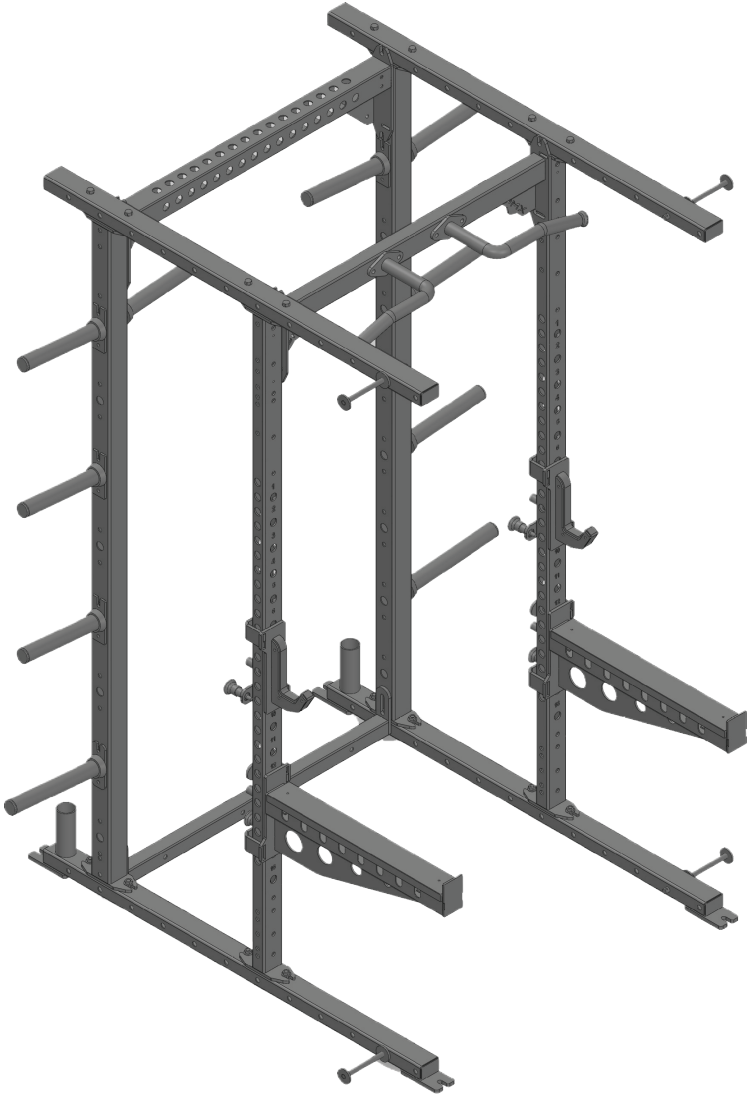
PMX3307-DFR
Double Full Rack

- 3x3 Dual Notched Upright
- 7 Gauge Steel
- (2) 3 Way Urethane Chinup
- (4) Bar Hooks
- (4) Safety Crash Arms
- (4) Bar Storage
- (8) Universal Band Pegs
- (12) Weight Peg Storage



PMX3307-FH
Full Half Rack

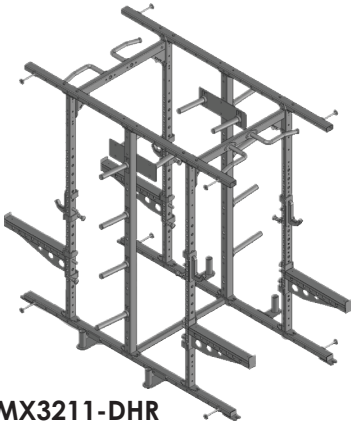
- 3x3 Dual Notched Upright
- 7 Gauge Steel
- (2) 3 Way Urethane Chinup
- (4) Bar Hooks
- (2) Safety Crash Arms
- (2) 28" Safety Arms
- (4) Bar Storage
- (8) Universal Band Pegs
- (12) Weight Peg Storage



PMX3211-HR

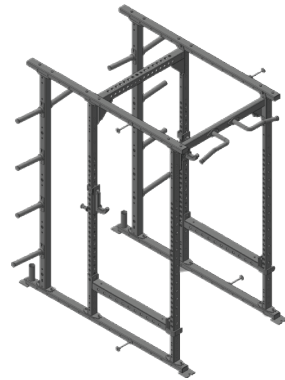
Half Rack

- 3x2 Universal Upright
- 11 Gauge Steel
- Laser Cut Holes Spaced Every 2" on Uprights
- 3 Way Urethane Chinup
- (2) Bar Hooks
- (2) 28" Safety Arms
- (2) Bar Storage
- (4) Universal Band Pegs
- (10) Weight Peg Storage



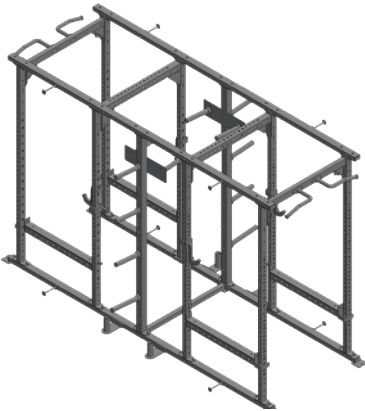
PMX3211-DHR
Double Half Rack

- 3x2 Universal Upright
- 11 Gauge Steel
- Laser Cut Holes Spaced Every 2" on Uprights
- (2) 3 Way Urethane Chinup
- (4) Bar Hooks
- (4) 28" Safety Arms
- (4) Bar Storage
- (8) Universal Band Pegs
- (12) Weight Peg Storage



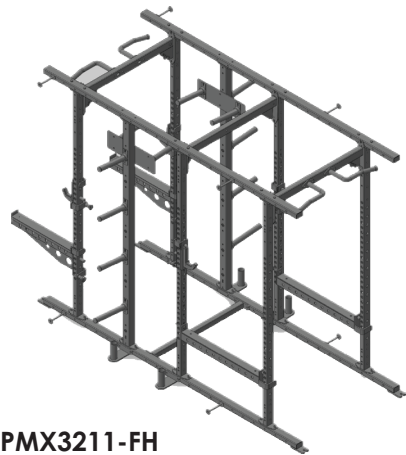
PMX3211-FR
Full Rack

- 3x2 Universal Upright
- 11 Gauge Steel
- Laser Cut Holes Spaced Every 2" on Uprights
- 3 Way Urethane Chinup
- (2) Bar Hooks
- (2) Safety Crash Arms
- (2) Bar Storage
- (4) Universal Band Pegs
- (10) Weight Peg Storage



PMX3211-DFR
Double Full Rack

- 3x2 Universal Upright
- 11 Gauge Steel
- Laser Cut Holes Spaced Every 2" on Uprights
- (2) 3 Way Urethane Chinup
- (4) Bar Hooks
- (4) Safety Crash Arms
- (4) Bar Storage
- (8) Universal Band Pegs
- (12) Weight Peg Storage



PMX3211-FH
Full Half Rack

- 3x2 Universal Upright
- 11 Gauge Steel
- Laser Cut Holes Spaced Every 2" on Uprights
- (2) 3 Way Urethane Chinup
- (4) Bar Hooks
- (2) Safety Crash Arms
- (2) 28" Safety Arms
- (4) Bar Storage
- (8) Universal Band Pegs
- (12) Weight Peg Storage

PMX4307



PL-8220D
Dip Station



PMX-4307-Safety Arm
Safety Arm



PL-885
Single Leg Squat



PMX-JHOOK-4307
(Pairs)

PMX3311



SP-220
Dip Station



PMX-3311-Safety Arm
Safety Arm



SP-385
Single Leg Squat



PMX-JHOOK-3311
(Pairs)

PMX3307 : PMX3211

PMX3307



PL-220D
Dip Station



PMX-3307-Safety Arm
Safety Arm



PL-385
Single Leg Squat



PMX-JHOOK-3307
(Pairs)

PMX3211



SP-320
Dip Station



PMX-3211-Safety Arm
Safety Arm



SP-640APE2X3-LEGSQUAT
Single Leg Squat



PMX-JHOOK-3211
(Pairs)



PMX-PA
Power Arms
Attachments



50423
Landmines



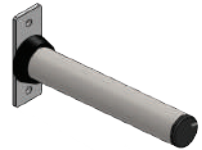
PMX-BA
Band Attachments



SP-647-C
Storage Shelves



SP-646
Bumper Storage



OLYPHOLDER4
Olympic
Plate Holder



PL-803
Bar Storage



PMX-HBS-1
Single Hanging
Bar Storage



PMX-HBS-2
Double Hanging
Bar Storage



TA-100
Triphasic Arms



PL-319
Connecting Cross Member
with logo bridge



PL-618
Arch Bridge with logo
Fits PMX Racks
(does not fit PMX Motivate line)



M8-618
Straight Bridge with logo Fits
PMX & PMX Motivate Line Racks



PL-318
Connecting Cross-Member



SP-617
Connecting Cross-Member

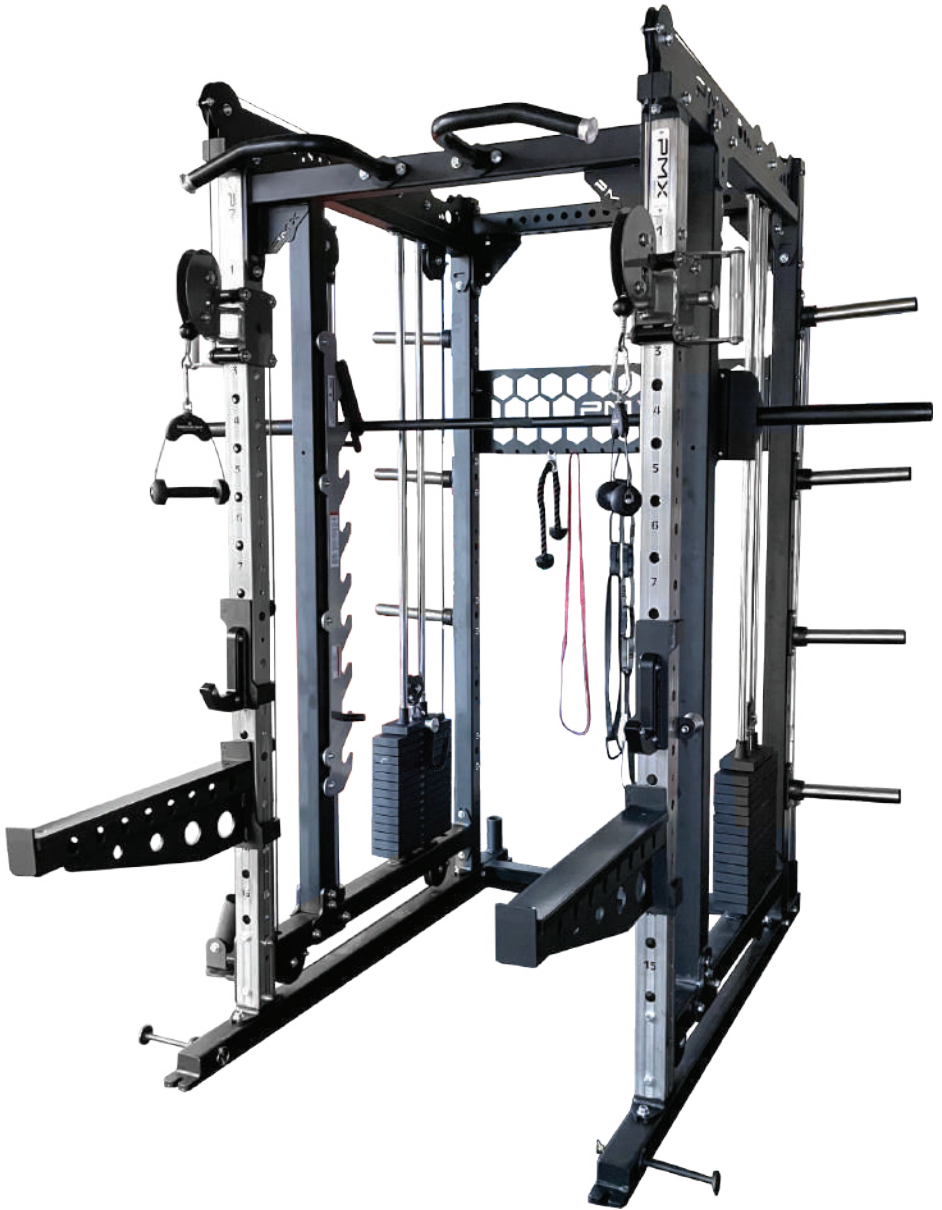


PL-317
Connecting Cross-Member



PMX-HL
HIGH LAT/LOW ROW
225lbs Weight Stack

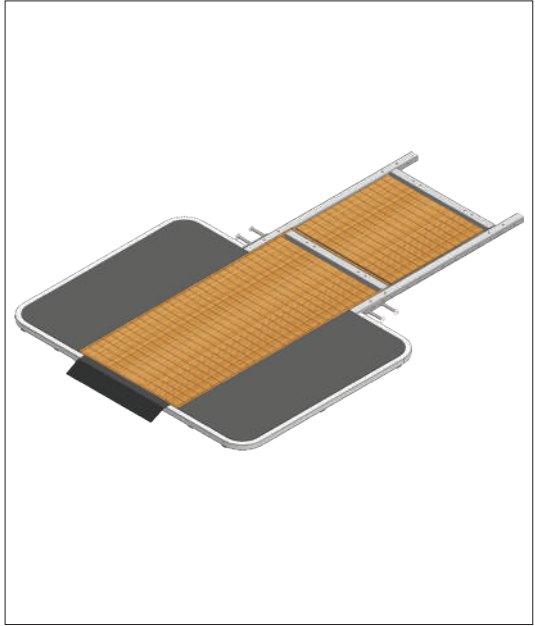
PMX-MFT HALF RACK & FUNCTIONAL TRAINER COMBO



PMX-MFT HALF RACK & FUNCTIONAL TRAINER COMBO



**Optional Lat Pull & Low Row
MFT-HL Attachment.**



**Optional 6' x 8' Platform
MFT-12 Attachment.**

Features

- Adjustable Cable Columns with 300lb weight stacks in 15lb increments
- 2:1 pulley ratio on weight stacks
- 2 Safety Arms, 2 J-Hooks (bar catches)
- 2 Base-mounted Olympic Bar Holders
- 2 Stainless Steel Selectorized Uprights (3x3, 11g steel)
- Top/Base: 3x2 11g steel, powder coated
- Rear uprights: 3x3 11g steel, powder coated
- Cable attachment storage hangers (rear)
- 8 Weight horns (bottom pair 14" long)
- Multi-grip chin up
- CA-TRAKHANDLE: Rotating Trak handles Included

Compatible Attachments

- MFT-10: Smith Machine
- MFT-HL: Lat Pull & Low Row 225lb weight stack in 15lb increments with 1:1 pulley ratio
- MFT-12: 6' x 8' Platform
- PMX-BA: Band attachment
- 50423: Landmine
- SP-220: Dip station attachment
- SP-385: Single-leg squat attachment

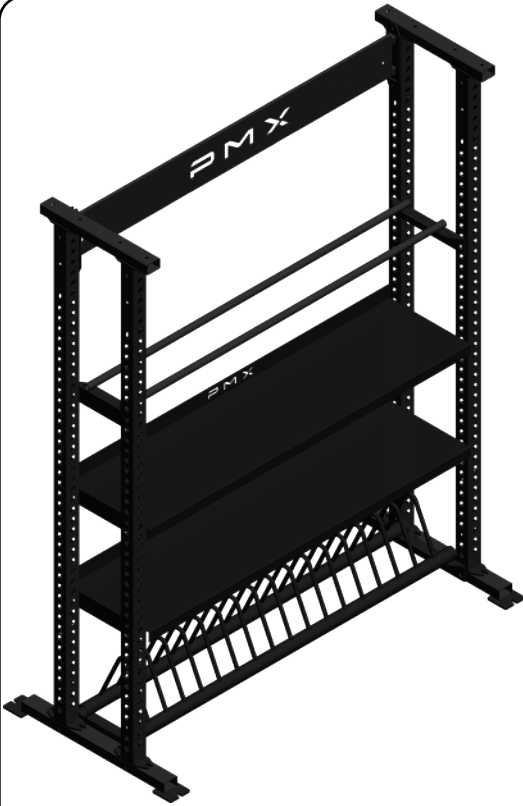


PL-102
Smith Machine



PLR-950
7 Degree Angled Smith
Machine w/Linear Bearings.
1" Case Hardened Steel Guide
Rods and weight storage

PLR-955 - Also Available
Angled Smith Machine w/
Linear Bearings. 2" shafts and
weight storage



STR-25
Build It Your Way
Storage Rack

- Storage rack frame 3"x3" with durable 11 gauge steel.
- Top connecting bar with optional branding logo.
- Choose a minimum of 3 and maximum of 4 shelves.

Optional Shelves:



- **STR-26:** Dumbbell & Kettlebell Flat Shelf
- 72" L x 18" W



- **STR-27:** Bumper Storage shelf



- **STR-28:** Medicine Ball Storage Shelf

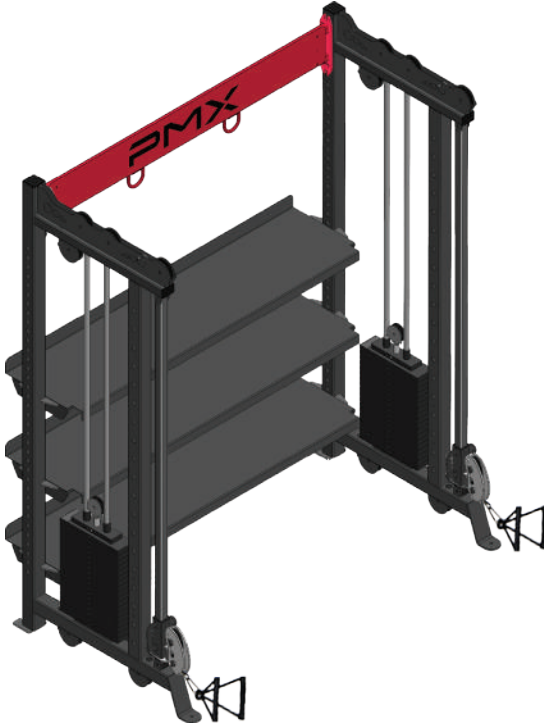
STR
Mobile
Storage
Rack



STR-15
Accessory
Rack



CW-2 Cable Wall Units



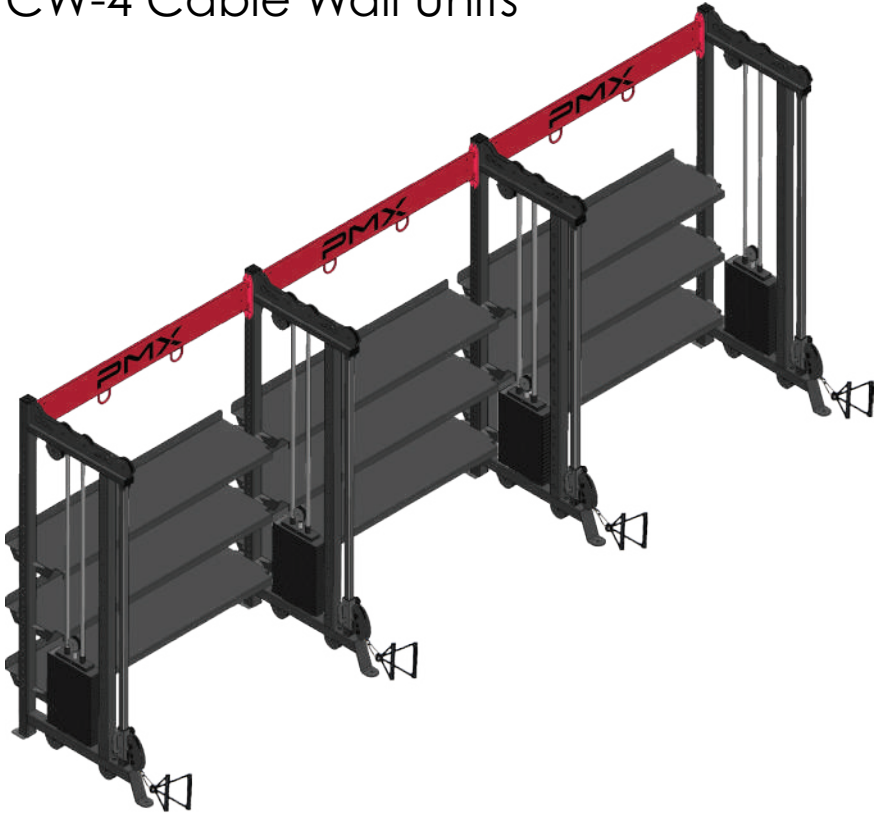
Specifications

- 225lb Weight Stack X 2
- Flat Shelves X 3
- D rings on X 2 (on each cross connector)

Attachments Included

- Rope X 1
- V- grip X 2
- Short T-Handle X 1

CW-4 Cable Wall Units

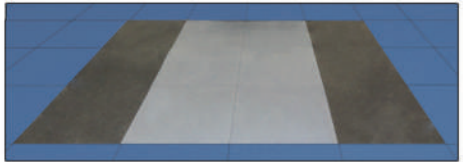


Specifications

- 225lb Weight Stack X 4
- Flat Shelves X 9
- D rings on X 2 (on each cross connector)

Attachments Included

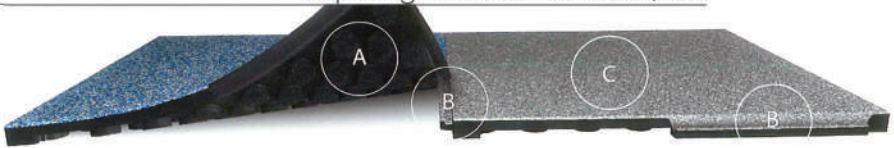
- Rope X 2
- V- grip X 4
- Short T-Handle X 2



1.25" x 2' x 2' Shock Absorbing Flooring with Inlaid Platforms

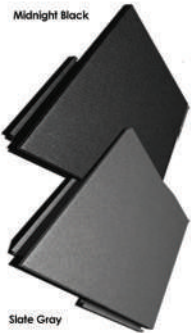


Pope High School - Marietta, GA

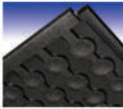


Colors

Midnight Black



Slate Gray



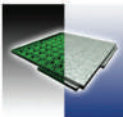
A. HOLLOW CORE PEDESTAL DESIGN

- Raise the system off the floor creating plenty of air space for superior cushioning effect
- Absorbs both sound and vibration
- Allow cables to be channeled through the underside of the product
- Evenly distributes fitness equipment weight over 64 pedestals per tile



B. OMNI-DIRECTIONAL LOCKING DESIGN

- Locks the system firmly in place without the use of adhesive
- Non-shifting and non-separating
- Simple, and efficient to install
- Can be picked up and relocated or reconfigured to harmonize with any design or layout changes to your facility



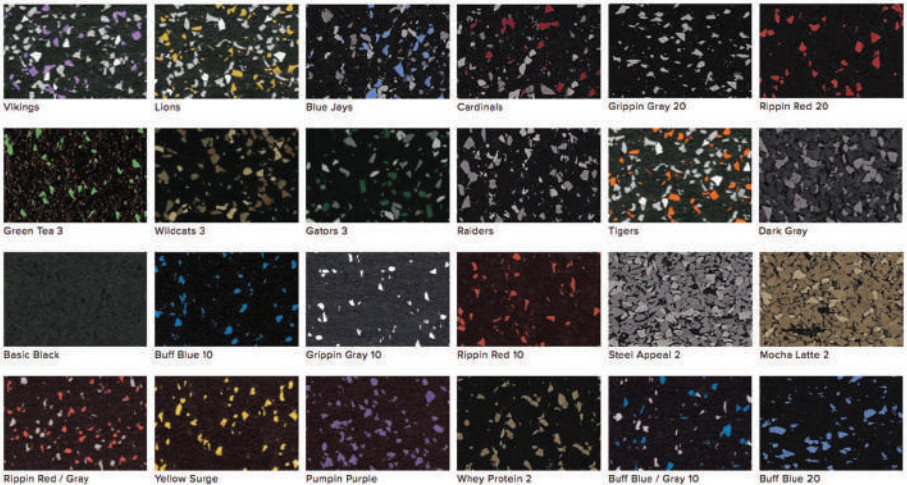
C. HIGH COMPRESSION WEAR LAYER

- ASTM Compliant for slip resistance
- Fire resistant (premium series)
- Tested for over 400,000 repeated impacts with an 800 pound blunt force
- Available in a virtually unlimited number of custom color combinations

Shock Absorbent Rubber Flooring



8mm, 9mm or 14.5mm rolled gym flooring available.
Also available with optional custom inlaid logos.



Rolled Rubber Flooring

1" x 2' x 2' High Density Shock and Sound Absorbent Tile



Inlaid Custom Floor Logos



Slip Resistant, Wet or Dry

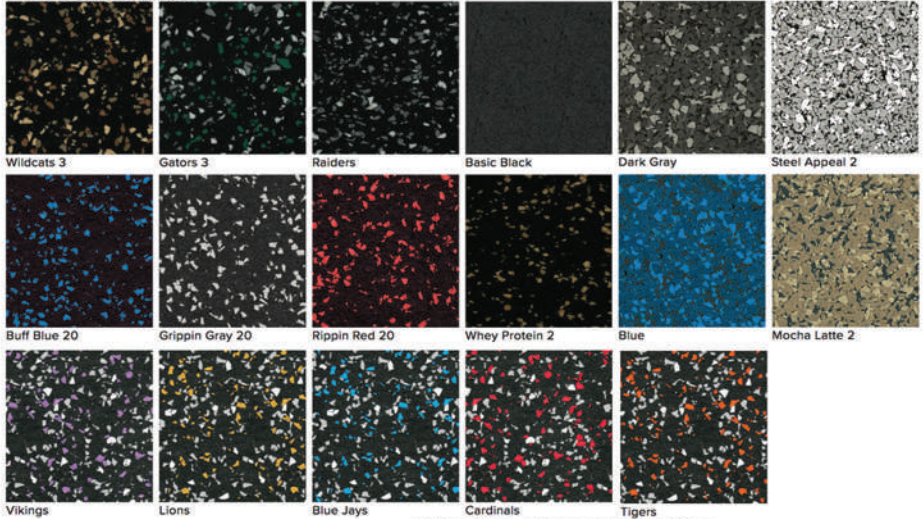


Extreme Durability



Indoor Practice Facility Turf

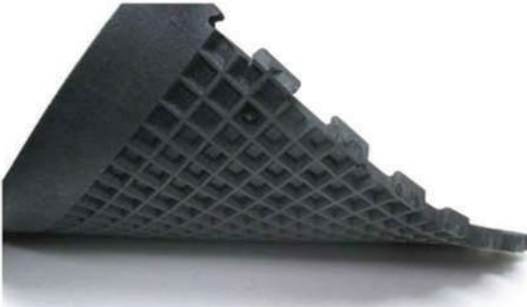
Available Colors



UltraTile Fitness Flooring

MAW2313

Shok-Lok Power Flooring

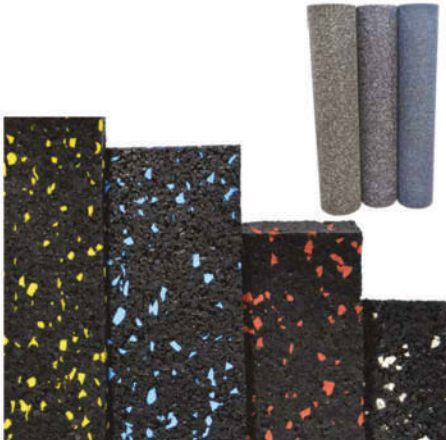


Easy to Install.
Anti-Slip.
Scuff Resistant.
Resists Spills and Stains
Loose Lay Product, No Adhesive Necessary.
Will not Curl or Separate.
Insulates Against the Cold.
Virtually Maintenance Free.
Absolutely Non-Absorbent.
LokTuff Precision Water Jet Cut Eliminates Gaps.
Will Not Harbor or Promote Bacterial Growth.
Minigation Agent Added to Reduce Rubber Smell.



Available Size: 7'6" x 6'

Rubber Mats

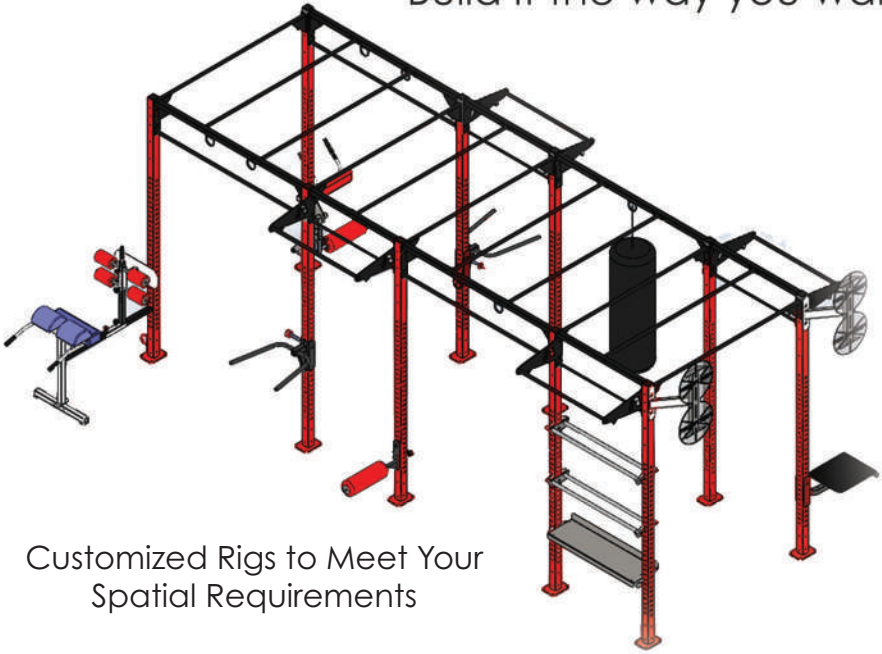


Available in 8mm or 9mm thickness



4'x6' and 4'x8' mats available in 1/2" and 3/4" thickness.

Build it the way you want!



Customized Rigs to Meet Your Spatial Requirements

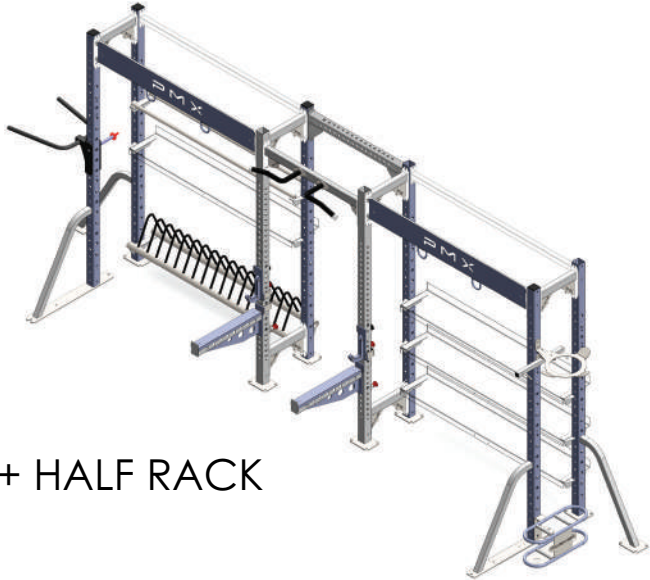
Rig Attachments

<p>50417</p>	<p>REBOUNDER</p>	<p>HEAVY BAG</p>	<p>50423</p>	<p>50436</p>
<p>STEP-UP</p>	<p>LEG CURL</p>	<p>DIP STATION</p>	<p>BALL TARGET</p>	

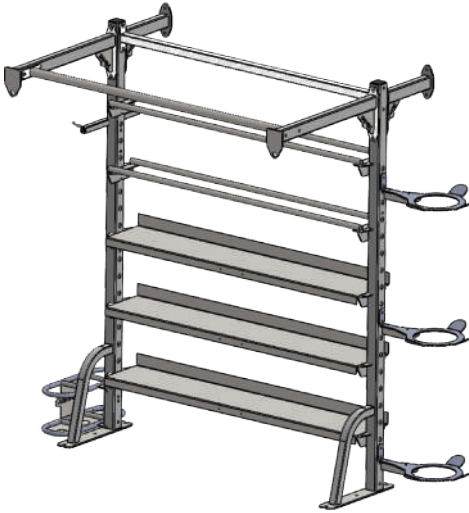
Call For Custom Pricing

Panther Rig

- Ⓐ D-Ring
- Ⓑ Monkey Bars
- Ⓒ Accessory Shelves
- Ⓓ Smith Machine
- Ⓔ Ball Rebounder
- Ⓕ Pull-up Bar
- Ⓖ Plate Holders
- Ⓗ Rope Cleat
- Ⓘ Heavy Bag
- Ⓣ Landmine
- Ⓚ TRX-Suspension Attachment



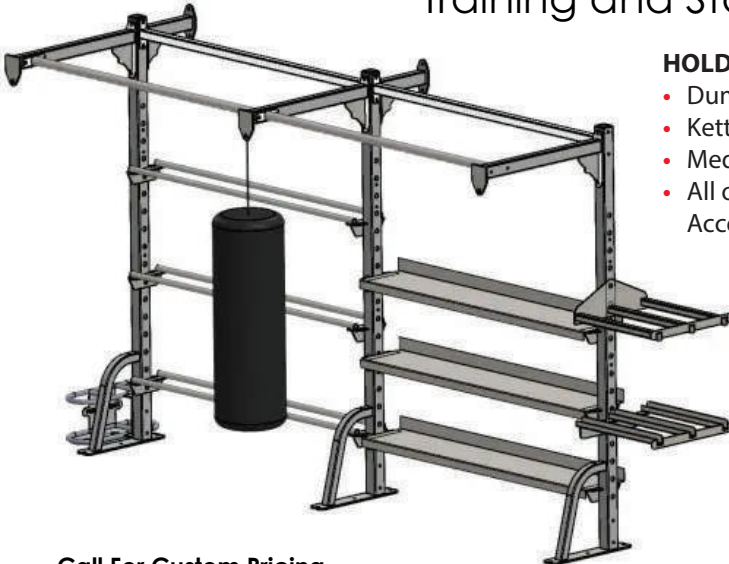
STR-WALL+ HALF RACK



STR-405 Wall and Floor Mountable Rig

- Punching Bag Connector
- Hanging Mats Storage
- Foam Rollers Storage
- Chin Up Bar
- TRX Suspension Strap Connector
- 2 Medicine Balls Shelves
- 3 Flat D umbbells, Kettlebells, or Accessories Storage Shelves
- Side Agility Ball Holder

Multi-purpose/Sectional Training and Storage Rack



HOLDS:

- Dumbbells
- Kettlebells
- Med Balls
- All other Accessories

Call For Custom Pricing

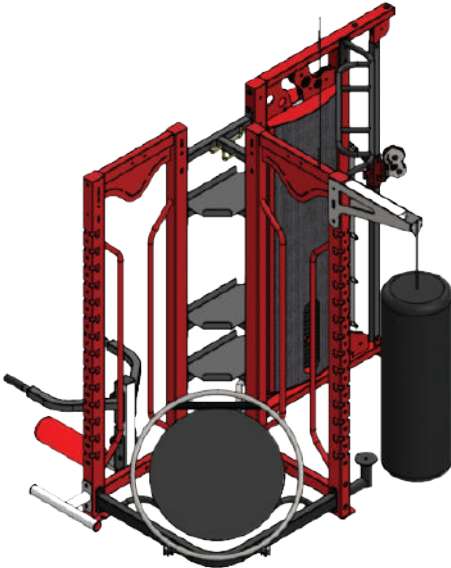


Equalizer 3

- 3" x 4" 7 Gauge steel frame.
- Multiple users at the same time.
- 4 Configurations to choose from.
- Maximize workout w/minimal space.
- Large selection of attachments available.
- Weight ball and Kettlebell storage.
- Durable powder coat.

OPTIONS

- Heavy bag attachment.
- Step-up platform.
- Dip attachment.
- Sit up foot holder.
- Landmine.
- Ball rebounder.
- Chin-up station.
- Center rope attachment.
- Rope cleats.



Equalizer 8

- 3" x 4" 7 Gauge steel frame.
- Multiple users at the same time.
- 4 Configurations to choose from.
- Maximize workout w/minimal space.
- Large selection of attachments available.
- Weight ball and Kettlebell storage.
- Durable powder coat.

OPTIONS

- Heavy bag attachment.
- Step-up platform.
- Dip attachment.
- Sit up foot holder.
- Landmine.
- Ball rebounder.
- Chin-up station.
- Center rope attachment.
- Rope cleats.

Call For Custom Pricing



PL-204
Combo Glute & Ham
Back Extension

Glute & Ham Developers



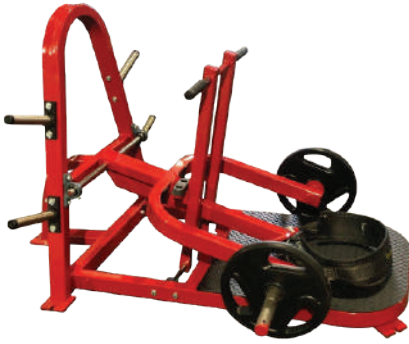
PLR-776
Glute & Ham

Glute & Ham Developers



PLR-750
Back Extension

Abdominal & Back



RPL-38
Belt Squat



P-44A
Power Runner

Lower Body



PL-156B
3-Way Hip & Leg Sled



P-118
Inverted Leg Press

Lower Body

FW-150U

Adjustable Workbench w/ wheels



Bench stands upright for better storage



Adjustable from 0-90°

FW-166

Adjustable Workbench w/ wheels



PL-610

Multi Adjustable Workbench w/ Wheels



Adjustable from Decline to Incline

PL-128U

Deluxe Adjustable Bench w/ Spotter Stand



Adjustable from 0-90°



FW-175L

Adjustable Work Bench



PLR-800

Seated Utility Bench



FW-36

Squat Stool



FW-66

Shoulder Press Stool w/ Reversible Seat

PLR-487
Single Dip Stand



PLR-488
Double Dip Stand



Dip Stands

STR-16
Trap Bar Rack



FW-48
9-Bar Holder



FW-44
10-Bar Holder



Weight Bars Storage

BAROLYCURL
Olympic Power Curl Bar



BAROLYMG
Multi Grip Bar



BAROLYMG C
Multi Grip Cambered Bar



BAROLYFB
7' Football Bar



BAROLYTRAP72
PMX Trap Bar



OLYTRAPBAR
PMX Trap Bar



ACFT TRAP
PMX Trap Bar

Weight Bars and Storage

BAROLYSQUAT2
Squat Bar - BAROLYSQUAT2

- Maximum Weight Capacity 700lb



BAROLYSQUAT
Olympic Squat Mairs Bar

- Maximum Weight Capacity 1200lb



BAROLYSSB
Olympic Safety Squat Bar

- Maximum Weight Capacity 1500lb



Weight Bars



BAROLY2000CCK
2000 lb. Chrome Needle
Bearing Bar with Center knurling



BAROLY2000CW/O
2000 lb. Chrome Needle Bearing
Bar without center knurling



BAROLY2500BW/CK
2500 lb. Black Olympic Bar w/
Center Knurling



BAROLY2500BW/O
2500 lb. Black Olympic Bar w/o
Center Knurling



BAROLY1500B
1500 lb. Black Olympic Bar



BAROLYJRHIGH
6' Jr. High Olympic Bar



BAROLY6
6' 17lb. Aluma-Lite Bar

Weight Bars

Standard Color Bumper Plates

BUM-45LB



45lb.

BUM-35LB



35lb.

BUM-25LB



25lb.

Competition Color Power Bumper

11213



45lb.

11212



35lb.

11211



25lb.

Standard Black Bumper Plates

BUMHI-45LB



45lb.

BUMHI-35LB



35lb.

BUMHI-25LB



25lb.

BUMHI-15LB



15lb.

BUMHI-10LB



10lb.

Competition Black Power Bumper

11217



45lb.

11216



35lb.

11215



25lb.

OSB : Black Rubber Bumper Plates



Thickness (+/-0.08) :

- 10 LB - 0.91"
- 15 LB - 1.16"
- 25 LB - 1.81"
- 35 LB - 2.24"
- 45 LB - 2.91"

Style #'s:

- OSB10LB
- OSB15LB
- OSB25LB
- OSB35LB
- OSB45LB

PUB : Prime Urethane Black Competition Bumper Plates



Thickness (+/-0.08) :

- 10 LB - 0.87"
- 25 LB - 1.19"
- 35 LB - 1.60"
- 45 LB - 2.06"

Style #'s:

- PUB10LB
- PUB25LB
- PUB35LB
- PUB45LB

PB : Prime Rubber Black Competition Bumper Plates



Thickness (+/-0.08) :

- 25 LB - 1.38"
- 35 LB - 1.67"
- 45 LB - 2.09"

Style #'s:

- PB25LB
- PB35LB
- PB45LB



EZR-45
Rubber Encased Grip Plates

- EZR-02.5
- EZR-05
- EZR-10
- EZR-25
- EZR-35

Olympic Plates



KETTLE BPRO 005
Rubber Encased Kettlebells

- | | | |
|-----------------|-----------------|-----------------|
| KETTLE BPRO 005 | KETTLE BPRO 035 | KETTLE BPRO 065 |
| KETTLE BPRO 010 | KETTLE BPRO 040 | KETTLE BPRO 070 |
| KETTLE BPRO 015 | KETTLE BPRO 045 | KETTLE BPRO 075 |
| KETTLE BPRO 020 | KETTLE BPRO 050 | KETTLE BPRO 080 |
| KETTLE BPRO 025 | KETTLE BPRO 055 | KETTLE BPRO 085 |
| KETTLE BPRO 030 | KETTLE BPRO 060 | |

Kettlebells



HEXR-045
Rubber Encased Hex Dumbbells

- | | | |
|----------|----------|----------|
| HEXR-005 | HEXR-040 | HEXR-075 |
| HEXR-010 | HEXR-045 | HEXR-080 |
| HEXR-015 | HEXR-050 | HEXR-085 |
| HEXR-020 | HEXR-055 | HEXR-090 |
| HEXR-025 | HEXR-060 | HEXR-095 |
| HEXR-030 | HEXR-065 | HEXR-100 |
| HEXR-035 | HEXR-070 | |



URD-SET1
Urethane Dumbbells

- | | |
|----------|---------|
| URD-SET1 | URD-125 |
| URD-SET2 | URD-130 |
| URD-SET3 | URD-135 |
| URD-105 | URD-140 |
| URD-110 | URD-145 |
| URD-115 | URD-150 |
| URD-120 | |



SSD-SET1
Stainless Steel Dumbbells

- | |
|--------------------|
| SSD-SET1 (5-50) |
| SSD-SET2 (55-75) |
| SSD-SET3 (80-100) |
| SSD-SET4 (105-125) |
| SSD-SET5 (130-150) |

Dumbbells

FW-275

2-Tier Kettlebell Rack



FW-276

3-Tier Kettlebell Rack



FW-550

2-Tier Dumbbell Rack

Holds 1 set of 5lbs -50 lbs
HEX Dumbbells



FW-575

3-Tier Dumbbell Rack

Holds 1 set of 5lbs -75 lbs
HEX Dumbbells



FW-5100

3-Tier Hex Dumbbell Rack

Holds set of 5 lbs - 100 lbs
HEX Dumbbells in 5 lb increments.



ALL RACKS ABOVE: Laser cut logo customization available for additional fee

PLR-500 (Shown)
2-Tier Dumbbell Rack
with Saddles



9' Long

PLR-500A
without saddles

PLR-504
3-Tier Dumbbell Rack
with Saddles



11' Long

Holds 20 pairs of Dumbbells



FW-69
Barbell Rack

Holds 10 Barbells either straight or curled.

Barbell sets available in Rubber. Straight or Curled. 20 – 110lbs set in 10lb. increments

BB-RESSET
Rubber Barbells : Rubber Encasted
Straight set. 20 – 110lbs

BB-RECSET
Rubber Barbells : Rubber Encasted
Curl set. 20 – 110lbs



FW-76
Plate Rack w/Wheels



FW-139L
Horizontal Bumper & Plate Rack



FW-31
Rolling
Bumper Plate Storage



FW-152
Deluxe Weight
Holder



FW-205
Vertical Bumper
Plate Holder



FW-13
Olympic Plate
Holder



Slam Balls



- SB-04
- SB-08
- SB-10
- SB-12
- SB-15
- SB-18
- SB-20
- SB-25
- SB-30
- SB-35
- SB-40
- SB-45
- SB-50

Soft Wall Balls



- WB - 06lb
- WB - 08lb
- WB - 10lb
- WB - 12lb
- WB - 14lb
- WB - 16lb
- WB - 18lb
- WB - 20lb
- WB - 25lb
- WB - 30lb

Hard Medicine Balls



- MB-006
- MB-008
- MB-010
- MB-012
- MB-015
- MB-018
- MB-020



Medicine Ball Rack
Fits Hard Med Balls & Slam Balls.

Medicine Ball Racks



FW-47 Stackable Metal Plyometric Boxes
Also available in 12" & 6"



11233 Wood Plyometric Boxes
12", 18", 20", 24" & 30"

11129 3 in 1 Foam Plyometric Box
20" x 24" x 30"



Foam Plyometric Boxes

3"		11119
6"		11120
12"		11121
18"		11122
24"		11123

Plyometric Boxes



FW-1012-D
Plow Sled w/
Removable Handles



FW-1014
Mini Speed Sled



PS-B
Quick Release
Harness



PSP
Power Sled w/ Handle

FW-77
Belt Rack w/ Wheels



(Belts Also Available)

CT-100
Undulation
Rope Anchor
Station



AC-CR2NROPE50
Black Nylon Ropes
Rope Diameters:
1.5" or 2" grip.
Rope Lengths:
30', 40', & 50'



AC-STROOPS77
Stroops Ropes
Resistance Levels:
77lb, 105lb, 150lb.

AC-G
Spring Loaded
Weight Collars



AC-GRIZZLYGRIP
Grizzly
Weight Collars



AC-LOCKJAWFS
Steel Composite
Lock Jaw Pro
Weight Collars



Workout Accessories



FW-21
Standing
T-Bar Row



FW-18
T-Bar Row

Upper Body

PLR-450
Preacher Curl



FW-4
Hi Lat/ Low Row

Upper Body

FW-33
4-Way Neck
Machine



FW-89
Combo Leg Curl/
Leg Extension



Auxillary Units



RPL-12
Vertical Chest
Press



RPL-7
Tricep Press

Upper Body



RPL-76
Hi Lat Pull



RPL-43
Unilateral
Tricep

Upper Body

RPL-45
Seated Thigh Extension



RPL-46
Prone Leg Curl

Lower Body



PL-62
Unilateral
Seated
High Row



PL-54
Dual Chest
Lat Pull

Upper Body

PL-39
Vertical Chest Press



PL-15
Unilateral
Hamstring Curl



PL-30
Unilateral
Power Lunge

PL-52
Reversible
Squat



Lower Body



P-1000
Chest Press



P-1100
Rear Deltoid/
Pectoral Fly



P-4100
Hi Lat Pull



Upper Body



P-3100
Tricep
Extension



P-2000
Shoulder Press

P-3000
Bicep Curl



Upper Body



P-5000
Seated
Leg Press



P-5100
Leg Extension

P-5200
Prone Leg
Curl



Lower Body

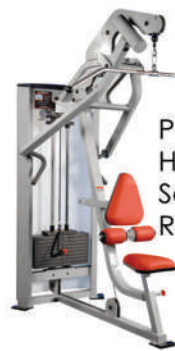
P-4400
Weight
Assisted
Chin-Up/
Dip



P-3350
Combo
Seated
Arm Curl



P-4300
Hi Lat Pull/
Seated
Row



P-1350
Multi Chest
Press



P-5300
Seated Leg
Curl



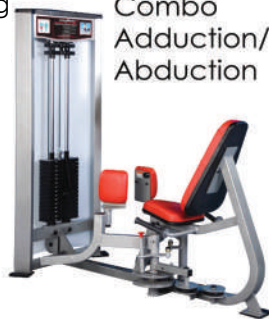
P-5500
Dual Leg
Extension/
Leg Curl



P-5800
Combo Leg
Extension/
Prone Leg
Curl

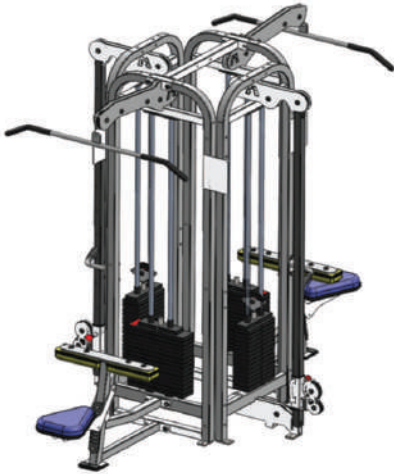


P-6300
Combo
Adduction/
Abduction



P-6550
Abdominal/
Back
Extension





Build it your way

CM-704

4 Station Multi-Gym (Shown w/
2 Hi Lats & 2 Cable Columns)

Available Stations



CM-720 - High Lat Pull
w/ Single Pulley
CM-721 - High Lat Pull
w/ Dual Pulley



CM-722 - Combo
High Lat Pull/
Seated Row



CM-725 - Row Station
w/ Single Pulley
CM-726 - Row Station
w/ Dual Pulley



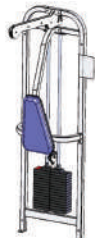
CM-730 - Adjustable
Pulley Station



CM-740 - Adjustable
Pulley Station w/ Leg
Supports



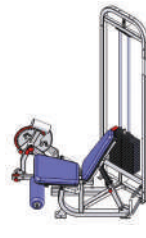
CM-745 -
Tricep Press
Station



CM-746 -
Tricep Push
Down Station



CM-755 -
Leg Press



CM-760 -
Combo Leg
Extension/Prone
Leg Curl



CM-770 - Combo
Chest Press

CM-705
5 Station Multi-Gym



CM-708
8 Station Multi-Gym





CM-335

Multi Functional Trainer

- Dual adjustable pulley system with 2 enclosed weight stacks.
- 11 different pulley adjustments on each column.
- Multiple people can work out at one time.
- Includes multi-grip chin up station.
- Over 40 Exercises.
- Patented Trak-Handles



CM-337

Functional Trainer Corner Unit

- Dual adjustable pulley system with 2 enclosed weight stacks.
- 11 different pulley adjustments on each column.
- Multiple people can work out at one time.
- Includes multi-grip chin up station, lat pull, low row and over 40 Exercises.
- Corner unit designed to maximize limited space.
- Patented Trak-Handles

P-350
3 Station Multi-Gym



- 2" x 2" and 2" x 3" 11 Gauge steel construction.
- 40 oz. Seamless upholstery, bacteria free.
- Leg extension/ leg curl/ chest press/ incline press/ shoulder press.
- Seated low row.
- High lat pull w/ padded seat and thigh pads.
- Knee raise/ dip station.



P-130B-3
Butterfly Attachment
Available

Multi-Gyms

P-235
4 Stack Multi Gym



- 2" x 2" and 2" x 3" 11 Gauge steel construction.
- 40 oz. Seamless upholstery, bacteria free.
- Leg press.
- Chest press/ incline press/ shoulder press
- High lat pull down/ seated low row.
- Leg extension/ leg curl.

Multi-Gyms

CV-GT5 Commercial Treadmill



CV-GT5-HANDRAIL
Extended Parallel Medical Handrails

Features

- Speed rating from 0.2 to 13.2 mph
- Incline rating from 0 to 15%
- 4.2 HP AC Brushless Motor
- Over 20 Programs
- Contact Heart-Rate Receivers
- Personal Adjustable Fan
- 60" L x 22" W Running Surface
- 1" Reversible Phenolic Deck
- Premium 4-Ply Orthopedic Running Belt
- Cushioned Deck System Absorbs Impact
- 3" Belt Roller
- 6.75" Step On Height
- Emergency Stop Safety Tether
- USB Charging Port
- Dedicated 110V/20 amp c
- 20-Amp Dedicated & Separated Circuit From Breaker Box
- Nema 3 Prong Plug
- 450 lbs max user weight

CV-GE5

Commercial Elliptical

Features

- Self powered drive system
- Multi-grip handles
- Large 10 x 21 DOT Matrix LED Display
- Display Readout: Time, Distance, Heart Rate, Watts, RPM, Level, Speed And Calories
- Belt-driven Self Powered Hybrid Generator Drive
- 6 Preset Programs With 30 Resistance Levels
- Finger Touch Resistance Controls on Upper Arms
- Contact & Telemetric Heart Rate System
- 450 lbs max user weight
- 8 Bearing Linkage System
- 22 lb Fly Wheel
- 20" Natural Stride



CV-GR5

Commercial Recumbent Bike

Features

- Self powered drive system
- Hybrid generator resistance system
- 24 levels of resistance
- 22lb flywheel
- 6 preset programs with 20 levels
- Bottle and accessory holder
- Personal adjustable fan
- Durable powder coated frame
- 450lb. max user weight
- Walk-through frame for easy mounting
- 13 Level adjustable oversized seat
- Breathable mesh backrest
- Easy finger touch resistance control
- Adjustable foot straps



CV-GU5

Commercial Upright Bike

Features

- Self powered drive system
- Hybrid generator resistance system
- 24 levels of resistance
- 22lb flywheel
- Easy-glide seating with 13 positions
- 6 preset programs with 20 levels
- Bottle and accessory holder
- Personal adjustable fan
- Durable powder coated frame
- 450lb. max user weight
- Transport wheels for ease of transport
- 13 level adjustable oversized seat
- Breathable mesh backrest
- Easy finger touch resistance control
- Adjustable foot straps



CV-T22 Smart Treadmill



Features

- Motor: 5.5 HP Continuous Duty AC Motor
- Speed Range: 0.5 to 15.6 mph
- Elevation: 0%-20%
- Running Surface: 22" x 63"
- Step-up Height: 10"
- Rollers: 4"
- Steel Frame
- Non-skid Aluminum Side Rails
- Urethane Grips
- 500 lbs max user weight
- 20-Amp Dedicated & Separated Circuit From Breaker Box required
- Dedicated 120V/20amp circuit required
- Nema 3 Prong Plug

LED and Entertainment Consoles



Entertainment Consoles Include:

- Wifi enabled aps: Youtube, Netflix, Facebook, News, Sports, Amazon, Spotify & More!
- Google Internet Search Engine
- 14 Languages
- Virtual Reality Courses
- TV Option
- 19" HD Touchscreen

All Cardio Equipment Available w/ WI-FI Enable Entertainment Package

CV-E22 Smart Elliptical

Features

- Adjustable Fingertip Controls
- 40 Resistance Levels
- Adjustable Stride/Incline 1-10
- Large Step-up Plate
- Heart Rate Sensors
- Ability To Receive Digital Heart Rate Chest Strap And Heart Rate Monitor
- Powder Coated Steel Frame
- Non-skid Foot Pedals
- Urethane Grips
- Upper/Lower Body Workout
- Headphone Jack
- 400 lbs max user weight
- Self powered with optional 110 V Power for adjustable stride



CV-R22

Smart Recumbent Bike



CV-B22

Smart Upright Bike



All Cardio Equipment Available w/ WI-FI Enable Entertainment Package

CV-SM5

StepMill Full Commercial



Features

- Non-Slip, 8" Fixed Step, Revolving Stairs
- Speed Adjustable Floors Per Minute
- Ergonomically Designed Handrails
- Cup Holders And Accessory Tray
- USB Charging
- Polar Telemetry Heart Rate System
- Easy To Read LCD Display Console
- Display Readout: Calories, Levels 1-20, Floors Per Minute, Floors Climbed, Watts, METs And Workout Profile
- Quick Start Standard
- Fire Fighters WFI Test program
- CPAT Test Program
- 13 Total Workout Programs
- Max User Weight: 350Lbs. Min User Weight 125lbs.
- Minimum Ceiling Height Requirement – 10Ft.
- 20-Amp Dedicated & Separated Circuit From Breaker Box

CV-SEEG8925

Variable Elliptical – Stepper – Runner

Features

- Patent natural free stride movement
- LED Dot matrix display with 12 programs
- Self-Power system
- Contact heart rate
- Provides elliptical or stepping motion
- Lower rear point of entry
- Dual commercial bearings
- Multi-grip handlebars
- Fingertip resistance adjustments
- Durable upright post
- 1.5" pedal spacing
- Over-sized solid foot pedals
- Hardened 3pcs crankshaft
- Transport wheels
- Adjustable floor levelers
- Water bottle holder



CV-ROWERG

Concept II Rower



Features

- Overall Length : 96 in (244 cm)
- Width : 24 in (61 cm)
- Seat Height : With standard legs 14 in (36 cm) or with tall legs 20 in (51 cm)
- Monorail Length : 54 in (137 cm)
- Chain or Cord : Nickel-plated steel chain
- Monitor : PM5
- Power Requirement : Takes two D cell batteries. During your workout, the monitor draws power from the spinning flywheel to extend battery life.
- Maximum User Weight : 500 lb (227 kg)
- Monitor Arm : Rugged nylon. Pivots for storage and to adjust monitor height.
- Finish : Powder coat
- Color Scheme : Black
- Storage : Can be separated into two parts for easy storage
- Space Recommendations
- Assembled: 8 ft x 2 ft (244 cm x 61 cm)
- With Clearance for Use: 9 ft x 4 ft (274 cm x 122 cm)

77100

Indoor Exercise Bike

Features

- PVC dipped handlebars.
- Non-skid foot pedals w/straps.
- Cup holder.
- Transport wheels.
- Emergency stop knob.



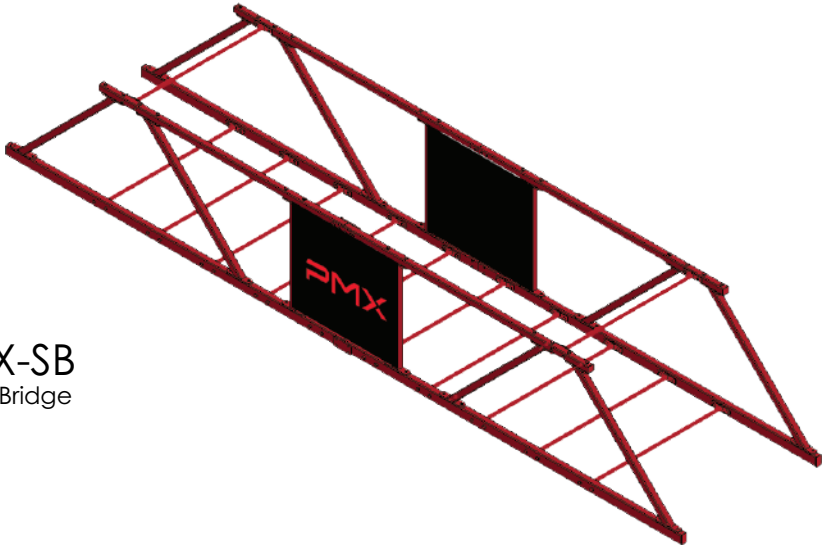
CV-AIRRAID-8AB

Airraid Bike

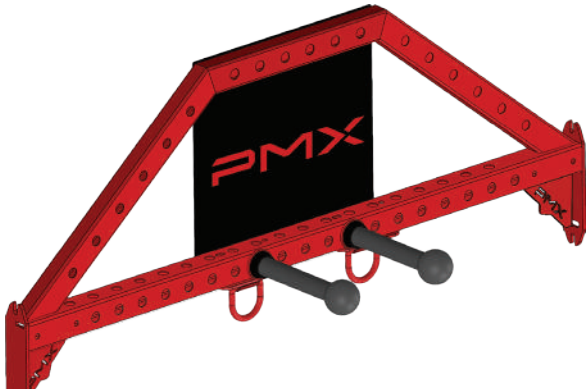
Features

- Console: Time, Speed, Distance, Calories, Watt, HR and RPM read outs
- Programs: HRC, THR, Interval 10/20 & 20/10 as well as Interval Custom
- Four way smart seat adjustment
- Foot pegs for upper body work only
- Transport wheels for ease of mobility
- Max User Weight: 350LBS



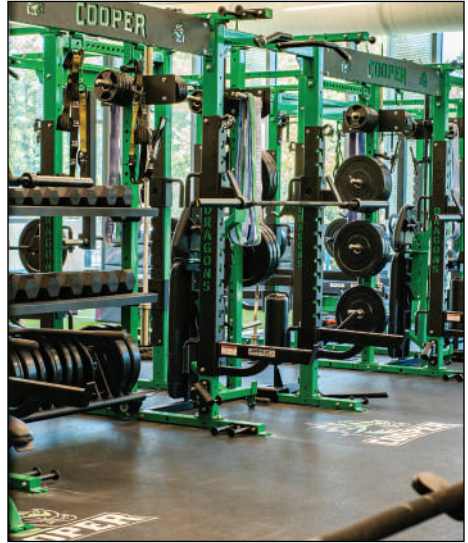
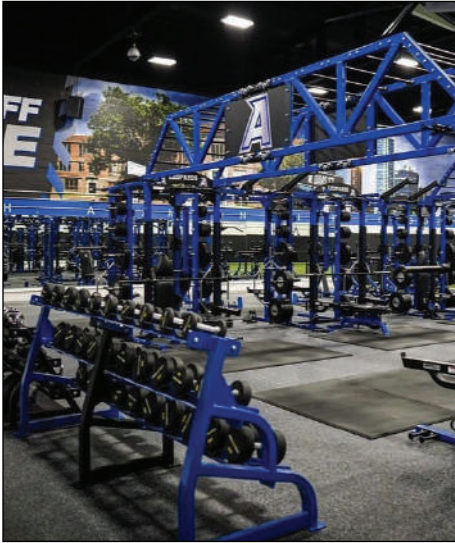


PMX-SB
Super Bridge



PMX-MB
Mini Bridge

BUILD PRIDE AND STRENGTH WITH PMX



BRAND YOUR WEIGHT ROOM



LASER CUT SCHOOL LOGO



CUSTOM LOGO BUMPERS



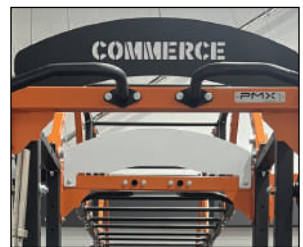
CUSTOM RACK LOGOS



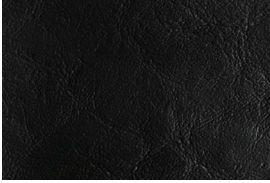
CUSTOM LOGO UPHOLSTERY



CUSTOM INLAID PLATFORMS



CUSTOM LASER RACK LOGOS



8540 : Black



6227 : Gray



6250 : Navy



6247 : Royal Blue



8612 : Light Blue



8404 : Dark Purple



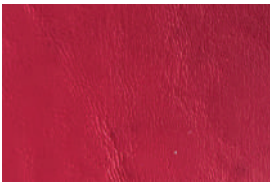
8569 : Maroon



6244 : Forest Green



US343 : Kelly Green



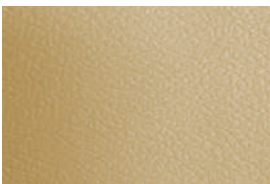
6236 : Red



6233 : Orange



6230 : Bright Yellow



8606 : Camel

*Upholstery Colors Are All Standard
* Colors May Vary*



RAL9005 : Black



SPARKLE SILVER : Silver



RAL5003 : Navy Blue



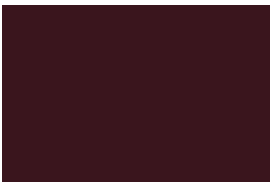
RAL5005 : Royal Blue



RAL5015 : Light Blue



RAL5022 : Dark Purple



RAL3005 : Maroon



RAL6005 : Forest Green



RAL6029 : Kelly Green



RAL3001 : Red



RAL2017 : Orange



RAL1018 : Bright Yellow



RAL1024 : Gold



RAL9003 : White

*Powder Coat Gloss Finish
* Colors May Vary*



FOR ADDITIONAL INFORMATION:

Contact us at orders@pmxstrength.com or
call 800-231-6652 to speak to a representative now.

www.pmxstrength.com

5310 Ashbrook
Houston, Texas 77081